

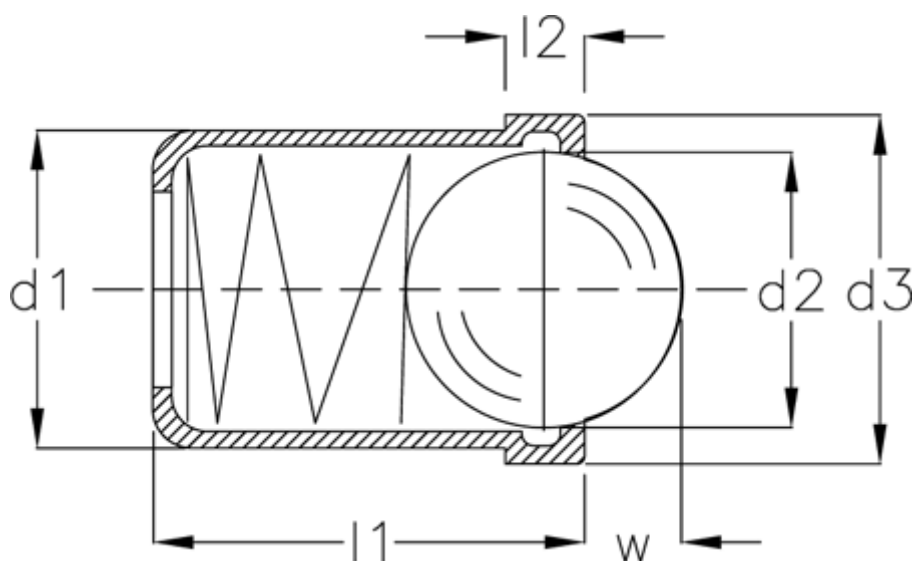
Data Sheet



Article number: 20883000

Description: E+G
Spring plunger GN 614-4-KU

Measures



| | |
|--------------------------|-------|
| d1 | = 4 |
| d2 | = 3.0 |
| d3 | = 4.6 |
| l1 | = 5.0 |
| l2 | = 1.0 |
| Spring pressure N bottom | = 6.5 |
| Spring pressure N top | = 2.5 |
| W | = 0.8 |